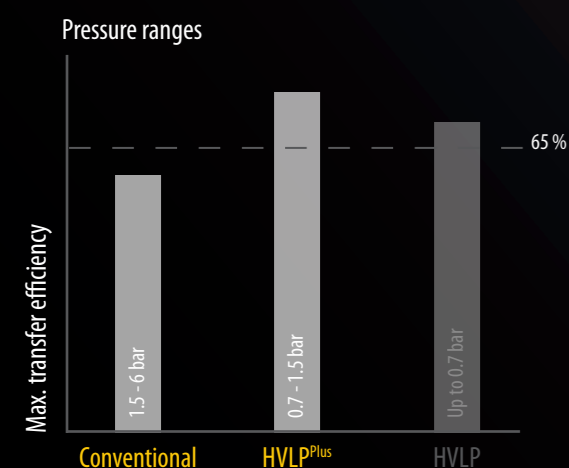


WAGNER offers devices, equipment and systems for all areas of industrial surface coating. Our innovative products and solutions stand out in terms of their quality, efficiency and productivity.

WAGNER automatic spray guns are notable for their versatile application in a wide range of areas. Conventional or HVLP<sup>Plus</sup> - we have the right technology for every task or challenge. A variety of uses can be covered thanks to a large choice of nozzles.

In conjunction with high-performance control technology, WAGNER automatic spray guns ensure optimal repeat accuracy and speed coupled with maximum process reliability and consistent coating quality. They are exceptionally easy to maintain and clean. The readily adjustable spray jet reduces material consumption and protects the environment. WAGNER automatic spray guns are designed, developed and adapted to suit your individual coating requirements.

**High-end technology with the HVLP<sup>Plus</sup> quality atomization system\*.**



**Perfectly coordinated**

Accessories for your WAGNER automatic spray guns.



**Double diaphragm pump ZIP52**

- High reliability
- Simple maintenance



**Nozzle inserts**

- Consisting of
- Air cap
  - Material nozzle
  - Needle



**ZIP52 finishing**

- Simple operation
- Fully equipped with regulators and fine flow controller



**Repair kits**

- Containing complete set of gun wearing parts.



**Material pressure tank**

- Wide range of material pressure tanks
- Ideal for shear-sensitive materials



J. Wagner GmbH  
Industrial Solutions  
D-88677 Markdorf  
Tel. +49 (0) 7544 505 - 0  
Fax +49 (0) 7544 505 - 1200

J. Wagner AG  
Industrial Solutions  
CH-9450 Altstätten/SG  
Tel +41 (0) 71 7572211  
Fax +41 (0) 71 7572323

**A fine performance.**



**Air-atomizing automatic spray guns**

First-class coating results.  
Low material consumption.  
Flexible and adaptable.

Printed in Germany - AME - 2347446 - 04/2014. All information, illustrations and specifications are based on information current at the time of printing. We reserve the right to make changes.

\*Attested by Fraunhofer IPA according to standard test procedure EN 13966-1

## Optimal results for all user needs

WAGNER automatic spray guns - technology that inspires

- High-performance technology with a wide range of possibilities
- Effective and eco-friendly material consumption
- Process reliability thanks to high repeat accuracy

## Impressively unique and versatile

The **WAGNER WA900** automatic spray gun for maximum performance and flexibility.

For use with quick-change adapter plates

Choose between conventional or HVL<sup>P</sup>Plus technology. The front section of the WA900 automatic spray gun is made entirely of stainless steel, so it can be used with almost any spray medium, whether water or solvent-based.

### Range of nozzle air head systems

Available with conventional atomization or HVL<sup>P</sup>Plus.



All material-conducting parts in stainless steel

Available with internal or external control system

### Ultra-flexible thanks to quick-change adapter plates

The spray gun is designed for mounting on quick-change adapter plates. It can be removed from the plate at a moment's notice. The plate accommodates all connection variants regardless of the type of material feed (branch line or recirculating).



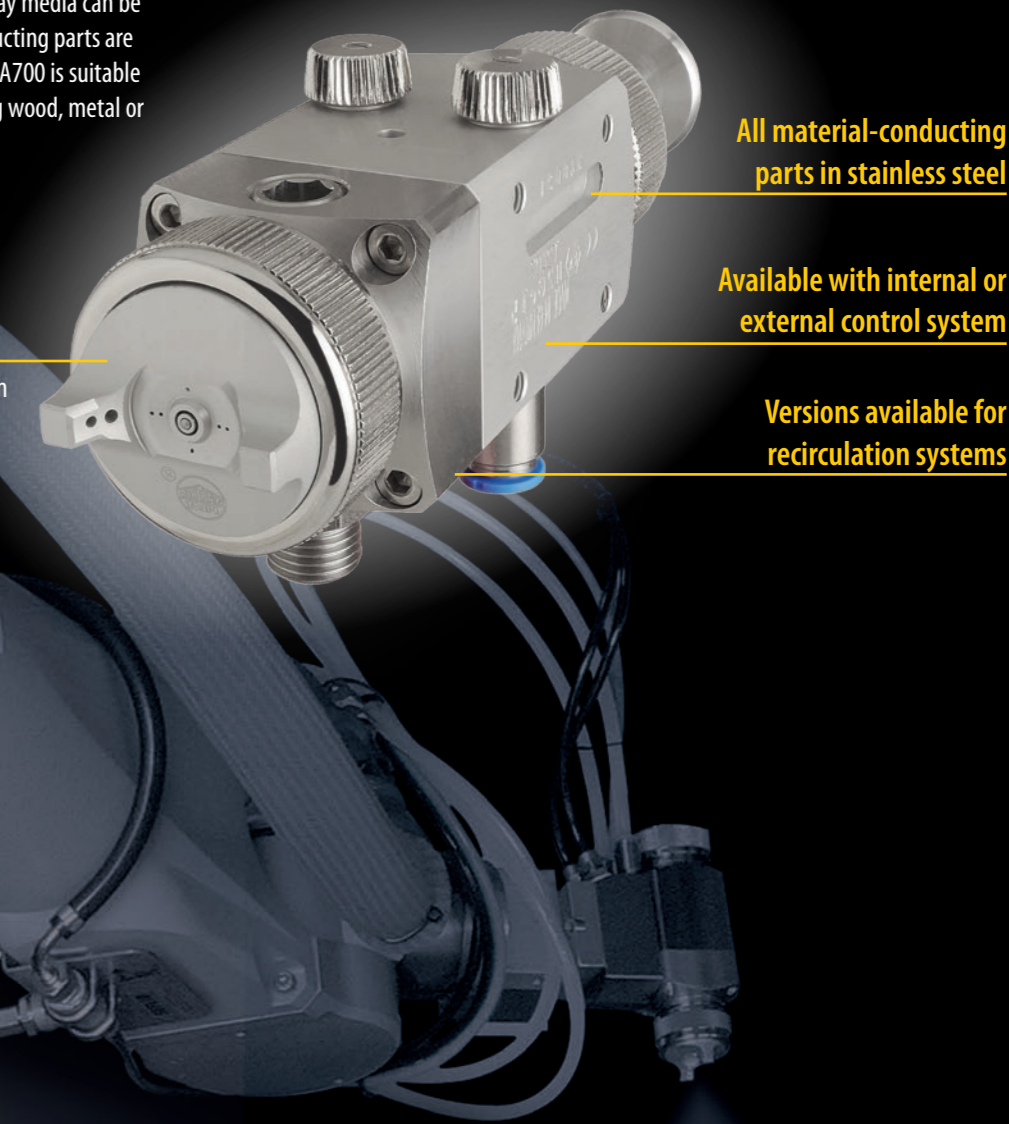
## High-end spray technology

Outstanding surface finishes with the **WAGNER WA700** automatic spray gun.

The flexible nozzle air head system of the WA700 allows economic material consumption. You can choose between versions with internal or external control systems. The atomization can be achieved with conventional or HVLP technology. Solvent or water-based spray media can be processed with ease. All material-conducting parts are made from robust stainless steel. The WA700 is suitable for a variety of applications, e.g. coating wood, metal or plastic with paints and varnishes.

### Range of nozzle air head systems

Available with conventional atomization or HVL<sup>P</sup>Plus.



All material-conducting parts in stainless steel

Available with internal or external control system

Versions available for recirculation systems

